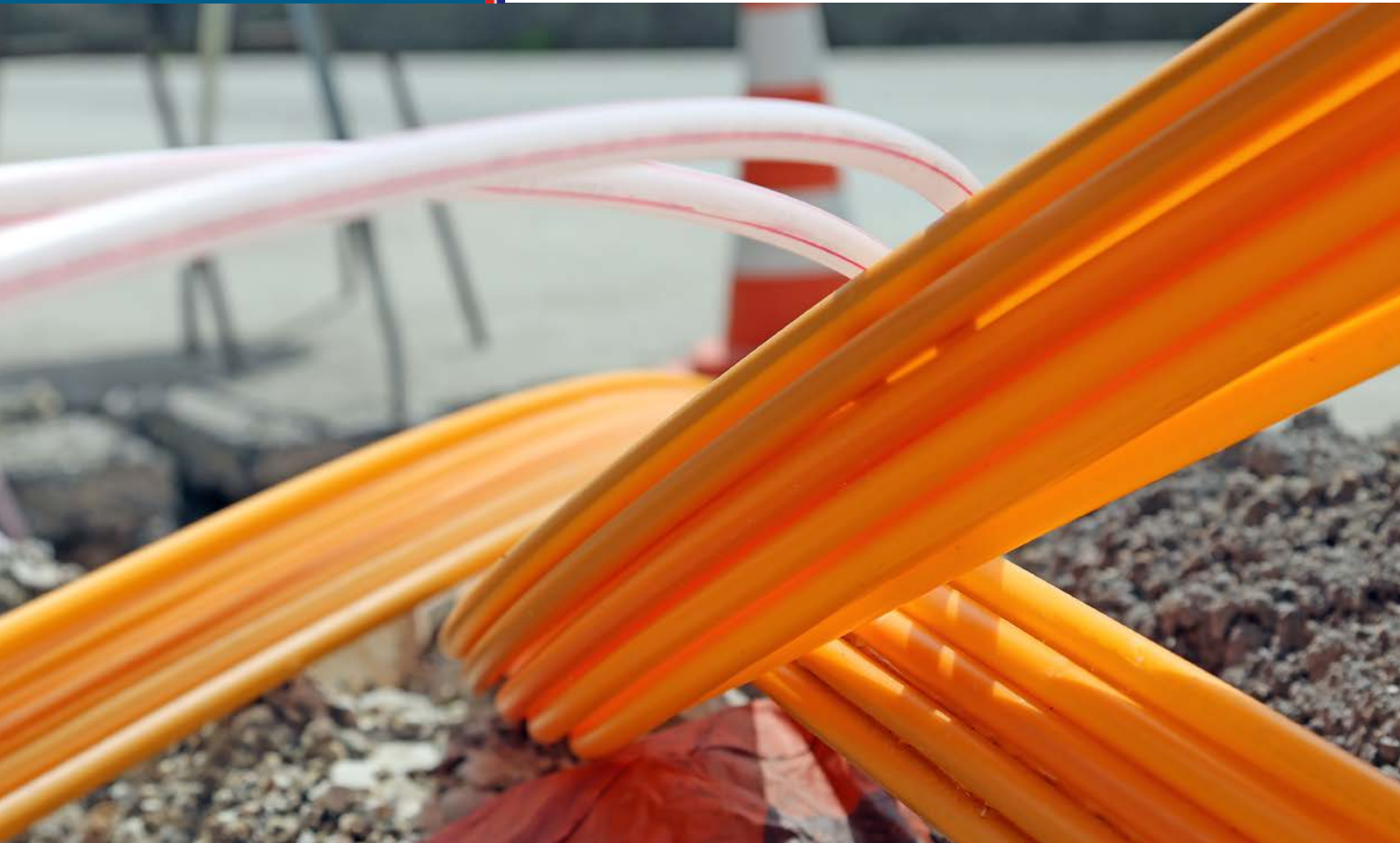




FTTx-CIVIL ENGINEERING



# FTTx-CIVIL ENGINEERING

FOR A FAST FUTURE



YOUR

ADVANTAGE

Faber can look back on many decades of successful collaboration with municipal utilities, energy companies, energy suppliers and civil engineering firms. We see ourselves as a modern service provider and we are constantly adapting our product portfolio and services to meet our customers' requests and needs.

## A different kind of partnership.

- Full-service provider for FTTx expansion
- Highest quality standards
- Fast, flexible delivery within 24 to 72 hours
- Risk minimisation for our clients
- No capital commitment, no risk of theft, no assessment risk
- Reduction of on-site storage area and costs for customers



FABER

LOGISTIC CENTRE

## Our warehouse is your warehouse.

Our storage area of 164,000 m<sup>2</sup> provides approx. 75,000 km of cables and lines, worth around €160 mil. This makes us one of Europe's largest cable distributor with one of the biggest power and optical fibre cable warehouses in the whole of Europe.

### The cornerstones of our corporate strategy:

- immediately available goods
- extraordinary product variety
- excellent logistics
- customised services
- strong partners

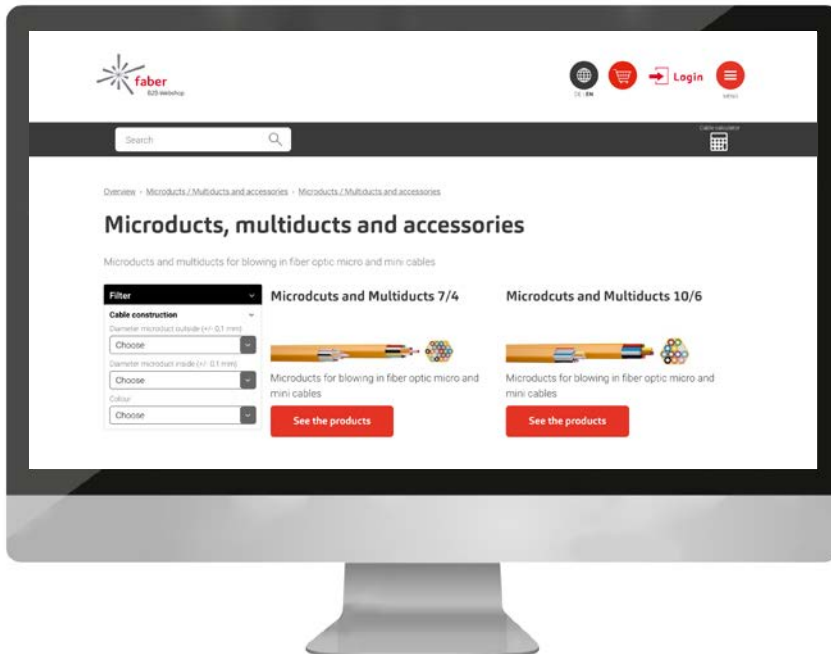


# FTTx/FIBRE OPTICS COMPONENTS

## EVERYTHING FOR BROADBAND EXPANSION

Now available in our Online Shop!

[shop.faberkabel.de](http://shop.faberkabel.de)



- product information / technical details
- Search article via filter
- numerous self-services
- Download of order confirmation, delivery bills and invoices
- Availability of documents from the past 100 days

Visit us online:  
[shop.faberkabel.de](http://shop.faberkabel.de)



Watch our YouTube Tutorials:  
**Faber Tutorial Webshop**

## YOUR CONTACT

### BU BROADBAND & TELECOM



**Kai Theile**  
Head of Business Unit  
T +49 151 26319109  
KTheile@faberkabel.de



**Volker Schramm**  
Sales & Technology  
T +49 681 9711-250  
VSchramm@faberkabel.de



**Tobias Himbert**  
Sales  
T +49 681 9711-251  
THimbert@faberkabel.de



**Anna Rathner**  
Sales  
T +49 681 9711-252  
ARathner@faberkabel.de



**Sven-Markus Schankola**  
Sales  
T +49 681 9711-253  
SMSchankola@faberkabel.de



**Andreas Beyer**  
Key Account  
T +49 172 6645871  
ABeyer@faberkabel.de



**Dominik Kreutzberg**  
Key Account  
T +49 171 2142216  
DKreutzberg@faberkabel.de



**Dirk Walter**  
Purchasing  
T +49 681 9711-143  
DWalter@faberkabel.de



**Lena Greff**  
Purchasing  
T +49 681 9711-213  
LGreff@faberkabel.de





### Microducts / multiducts, subducts and accessories

Faber offers a whole range of products for the expansion of FTTx networks. Our wide stock range of microducts (7/4, 10/6, 12/8, 14/10, 16/12, 20/15) and subducts ensures reliable material supply for your projects at short notice.

Accessories like

- connectors
- end stops
- reducer
- underground warning tapes
- gas / water stops
- branching aids
- lubricants (FAB10 / FAB20)

complete the assortment.



[Online Shop](#)

### Polycarbonate manholes and accessories

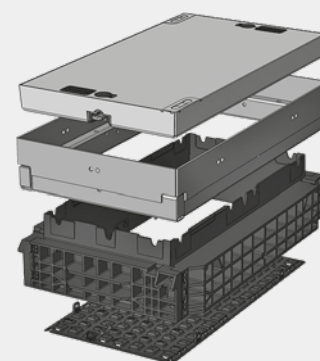
Langmatz polycarbonate manholes are a durable and flexible alternative to concrete manholes with many practical advantages.

Faber offers a variety of different sizes (full package with 2x frame 220 mm, 1x frame 70 mm, height adjustment, hexagonal locking) in the stock range:

- Faber® Langmatz® EK378 Clear dimensions: 400 x 800 mm
- Faber® Langmatz® EK478 Clear dimensions: 400 x 1165 mm
- Faber® Langmatz® EK628 Clear dimensions: 400 x 1600 mm
- Faber® Langmatz® EK338 Clear dimensions: 550 x 1165 mm
- Faber® Langmatz® EK648 Clear dimensions: 550 x 1400 mm
- Faber® Langmatz® EK508 Clear dimensions: 800 x 1165 mm



[Online Shop](#)



Langmatz 



### Optical distribution cabinets

Made of high quality polycarbonate, especially weather resistant and well recyclable, the Langmatz fibre optic network distributors are perfectly designed for Gigabit Passive Optical Network (GPON) and Point to Point-Ethernet (PtP) fibre optic access networks.

- NVT 168 (168 outlets / max. 3168 splices)
- NVT 96 (96 outlets / max. 1728 splices)
- NVT 48 (48 outlets / max. 864 splices)
- NVT 24 (24 outlets / max. 432 splices)



[Online Shop](#)



### Fibre optic closures FOCUS ODC2

Mechanical closures for up to 1008 fibre optic splice connections for easy and fast connection of fibre optic cables. The assembly requires no special tools. Modular splice-cassettes and sealing systems provide maximum flexibility.



[Online Shop](#)

### Building entry for fibre optic cables

Whether the building has a basement or not, whether installation is above or below ground; Faber's product range offers comprehensive solutions.



[Online Shop](#)



[Online Shop](#)



### Customer premise entry

The Faber APL product series meets all requirements for an attractive design and extreme robustness. Pre-assembled boxes with splice-ready adapters and pigtails (4–48 fibres) minimize the installation effort on site.

### ODF splice boxes – 96 fibres – LC/APC (19")

The Faber ODF splice box, equipped with 48 duplex LC/APC adapters and 96 LC/APC singlemode pigtails, terminates a total of 96 fibres (LC/APC) on one rack unit (U). The front panel can be folded down and the adapters are angled. With a drawer that can be swiveled to the right or left, quick and easy assembly is ensured.



[Online Shop](#)



[Online Shop](#)



### Locating, measuring and splicing technology

- TEMPO Omnimarker and Markerlocator TEMPO™ EML-100 MARKER MATE
- Fusion Splicer – Precision Core Alignment Optical Fusion Splicer CFS-100
- Multifunctional platform with optical time domain reflectometer NETPEPPERS Fibre 1000 Pro OTDR
- Launch fibre for OTDR measurement NetPeppers® FUTURA

Additional accessories such as splice protection, fibre optic patch cables, Installation and cleaning material can also be found at:

[shop.faberkabel.de](http://shop.faberkabel.de)



# FIBRE OPTIC CABLE

## FOR BROADBAND EXPANSION

### MINI CABLE

#### Mini Fibre Optic Cable

A-DQ2Y nx12 G.657A1/G.652D

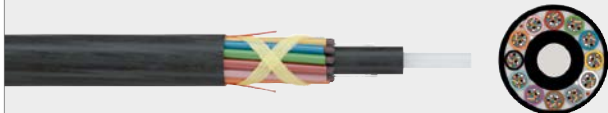


**NO. OF FIBRES:** 12 to 288, from 12/8 to 20/15 microduct

**APPLICATION:** This micro cable is used in microducts, it is installed by air blowing. The cable diameter and microtube dimensions must be matched to each other.

#### Mini Fibre Optic Cable

A-DQ2Y nx24 G.657A1/G.652D 200  $\mu$



**NO. OF FIBRES:** 96 to 576, from 12/8 to 20/15 microduct

**APPLICATION:** This micro cable is used in microducts, it is installed by air blowing. The cable diameter and microtube dimensions must be matched to each other.

#### Mini Fibre Optic Cable

A-DQ2Y nx12 G.657A1/G.652D 200  $\mu$



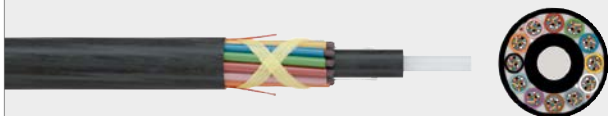
**NO. OF FIBRES:** 144 to 288, from 14/10 to 20/15 microduct

**APPLICATION:** This micro cable is used in microducts, in which a maximum number of fibres are to be placed. They are installed by air blowing. The cable diameter and microtube dimensions must be matched to each other.

UTL

#### Mini Fibre Optic Cable

A-DQ4Y nx12/24 G.657A1/G.652D 200  $\mu$



**NO. OF FIBRES:** 96 to 288, from 12/8 to 20/15 microduct

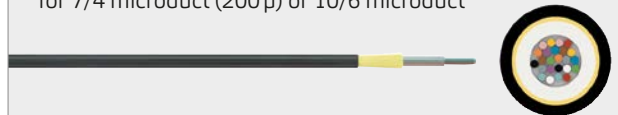
**APPLICATION:** This micro cable with polyamide outer sheath is used in microducts, in which a maximum number of fibres are to be placed. They are installed by air blowing. The cable diameter and microduct dimensions must be matched to each other.

UTL

### MICRO CABLE-EPFU/FIBRE UNIT

#### Micro Fibre Optic Cable

A-D(ZN)2Y 1xn G.657A1/G.652D  
for 7/4 microduct (200  $\mu$ ) or 10/6 microduct



**NO. OF FIBRES:** 4 to 24

**APPLICATION:** This micro cable is used in microducts with approx. 4 mm or 6 mm inside diameter, they are installed by air blowing.

#### Micro Fibre Optic Cable

A-DQ2Y nx12 G.657A1 200  $\mu$   
for 10/6 microduct



**NO. OF FIBRES:** 48 and 72

**APPLICATION:** This micro cable is used in microducts with approx. 6 mm inside diameter, they are installed by air blowing or pushing in. The compact design of the UTL series enables a maximum number of fibres.

UTL

#### EPFU Fibre Unit 1xn G.657A1

for  $\leq$  7/4 microduct



**NO. OF FIBRES:** 2 to 12

**APPLICATION:** This micro cable is used in microducts with inside diameter  $\leq$  4 mm, they are installed by air blowing or pushing in.

UTL



Mini Cable



Micro Cable

# RECOMMENDED

## CABLE/MICRODUCT COMBINATIONS



### Recommendation for microduct dimension (outside Ø / inside Ø)

		OD (mm)	No. of Fibres	7/4	10/6	12/8	14/10	16/12	20/15
EPFU (Fibre Unit)	EPFU 1x2 <b>UTL</b>	1,2	2	✓					
	EPFU 1x4 <b>UTL</b>	1,2	4	✓					
	EPFU 1x6 <b>UTL</b>	1,4	6	✓					
	EPFU 1x8 <b>UTL</b>	1,6	8	✓					
	EPFU 1x12 <b>UTL</b>	1,8	12	✓					
MICRO CABLE	Mikro 1x4	2,5	4	✓	✓				
	Mikro 1x6	2,5	6	✓	✓				
	Mikro 1x12	2,5	12	✓	✓				
	Mikro 1x24	2,8	24	✓	✓				
	Mikro 1x4	3,8	4		✓				
	Mikro 1x6	3,8	6		✓				
	Mikro 1x12	3,8	12		✓				
	Mikro 1x24	4,1	24		✓				
	Mikro 1x12	4,4	12		✓				
	Mikro 2x12 <b>UTL</b>	4,4	24		✓				
	Mikro 4x12 <b>UTL</b>	4,4	48		✓				
	Mikro 6x12 <b>UTL</b>	4,4	72		✓				
	Mikro 8x12 <b>UTL</b>	4,6	96		✓				
	MINI CABLE	Mini 1x12	5,5	12			✓		
Mini 2x12		5,5	24			✓			
Mini 4x12		5,5	48			✓			
Mini 6x12		5,5	72			✓			
Mini 8x12		6,2	96			✓	✓		
Mini 12x12		8,0	144				✓	✓	✓
Mini 16x12		9,0	192					✓	✓
Mini 24x12		9,4	288					✓	✓
Mini 12x12 <b>UTL</b>		6,2	144			✓	✓		
Mini 24x12 <b>UTL</b>		8,1	288				✓	✓	✓
Mini 8x12 PA <b>UTL</b>		5,6	96			✓	✓		
Mini 12x12 PA <b>UTL</b>		7,2	144				✓	✓	
Mini 24x12 PA <b>UTL</b>		8,0	288				✓	✓	✓
Mini 4x24		6,6	96			✓	✓		
Mini 6x24		6,6	144			✓	✓		
Mini 8x24		7,6	192				✓	✓	
Mini 9x24		8,2	216				✓	✓	✓
Mini 12x24		10,0	288					✓	✓
Mini 16x24		11,8	384						✓
Mini 18x24		11,8	432						✓
Mini 24x24 <b>UTL</b>		9,8	576					✓	✓
Mini 24x24		11,8	576						✓
Mini 4x24 PA		6,2	96			✓	✓		
Mini 6x24 PA <b>UTL</b>		6,2	144			✓	✓		
Mini 8x24 PA <b>UTL</b>		7,2	192				✓	✓	
Mini 9x24 PA <b>UTL</b>		7,8	216				✓	✓	
Mini 12x24 PA <b>UTL</b>		9,4	288					✓	✓
Mini 16x24 PA <b>UTL</b>		11,2	384						✓
Mini 18x24 PA <b>UTL</b>		11,2	432						✓
Mini 24x24 PA <b>UTL</b>		11,2	576						✓

UTL – UltraThinLine – the extra thin version for a maximum number of fibres and optimised air blowing performance. | Other cable versions available on request.



**Klaus Faber AG**  
Headquarters  
Europaallee 33  
66113 Saarbrücken  
Germany  
T +49 681 9711-0  
info@faberkabel.de

**Klaus Faber AG**  
Export and logistics centre  
Hedemünden  
Kirchweg 12-14  
34346 Hann. Münden  
Germany

**Klaus Faber AG**  
Export and logistics centre  
Fichtenau  
Gärtnerstraße 1  
74579 Fichtenau  
Germany

Get to know more: [www.faberkabel.de](http://www.faberkabel.de)